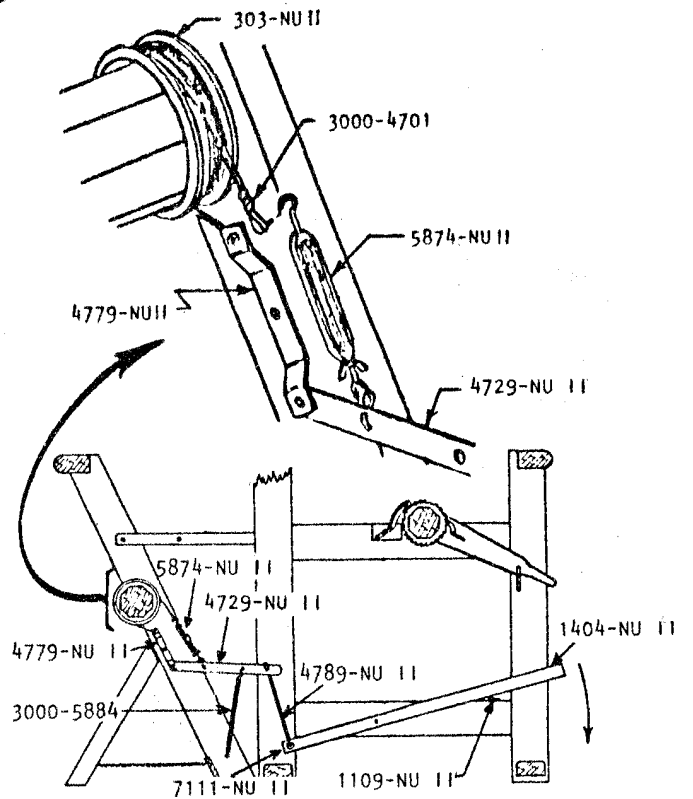
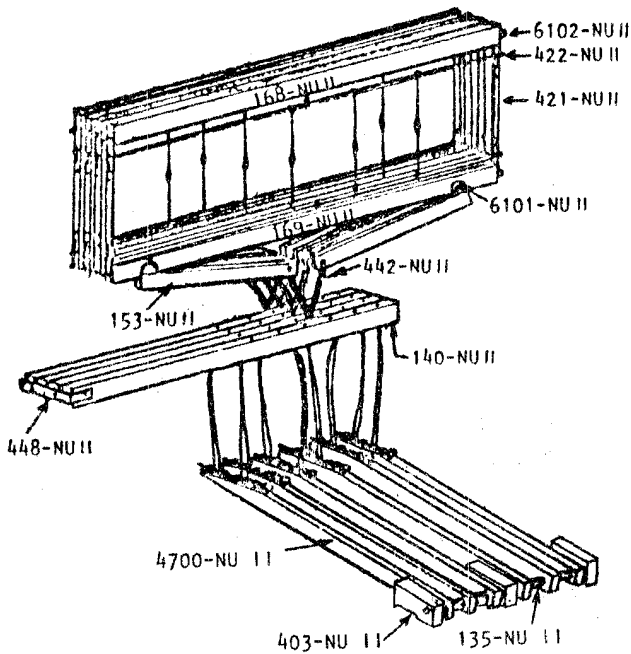
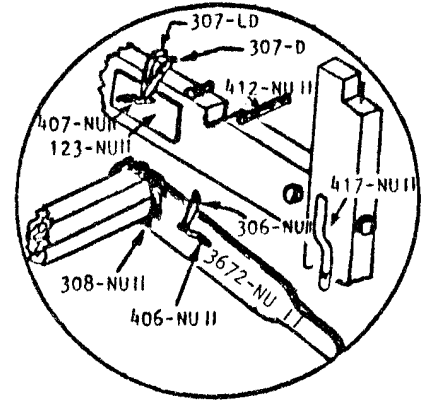
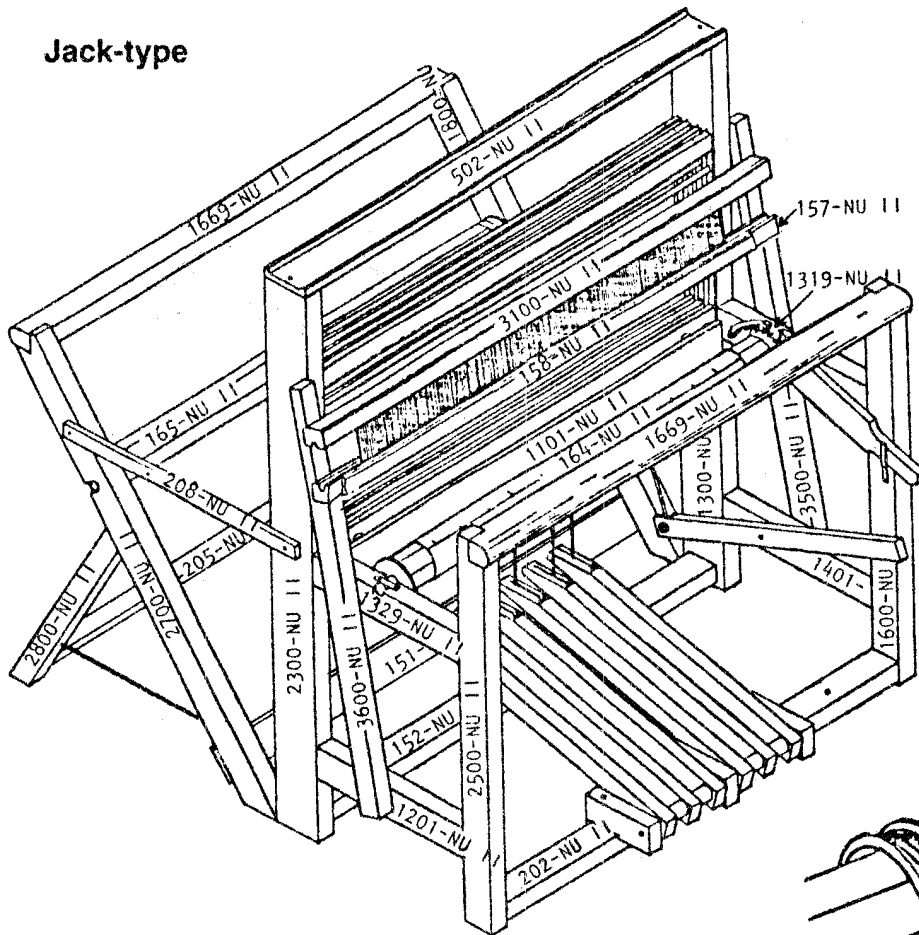


NILUS II

Pas à la lève

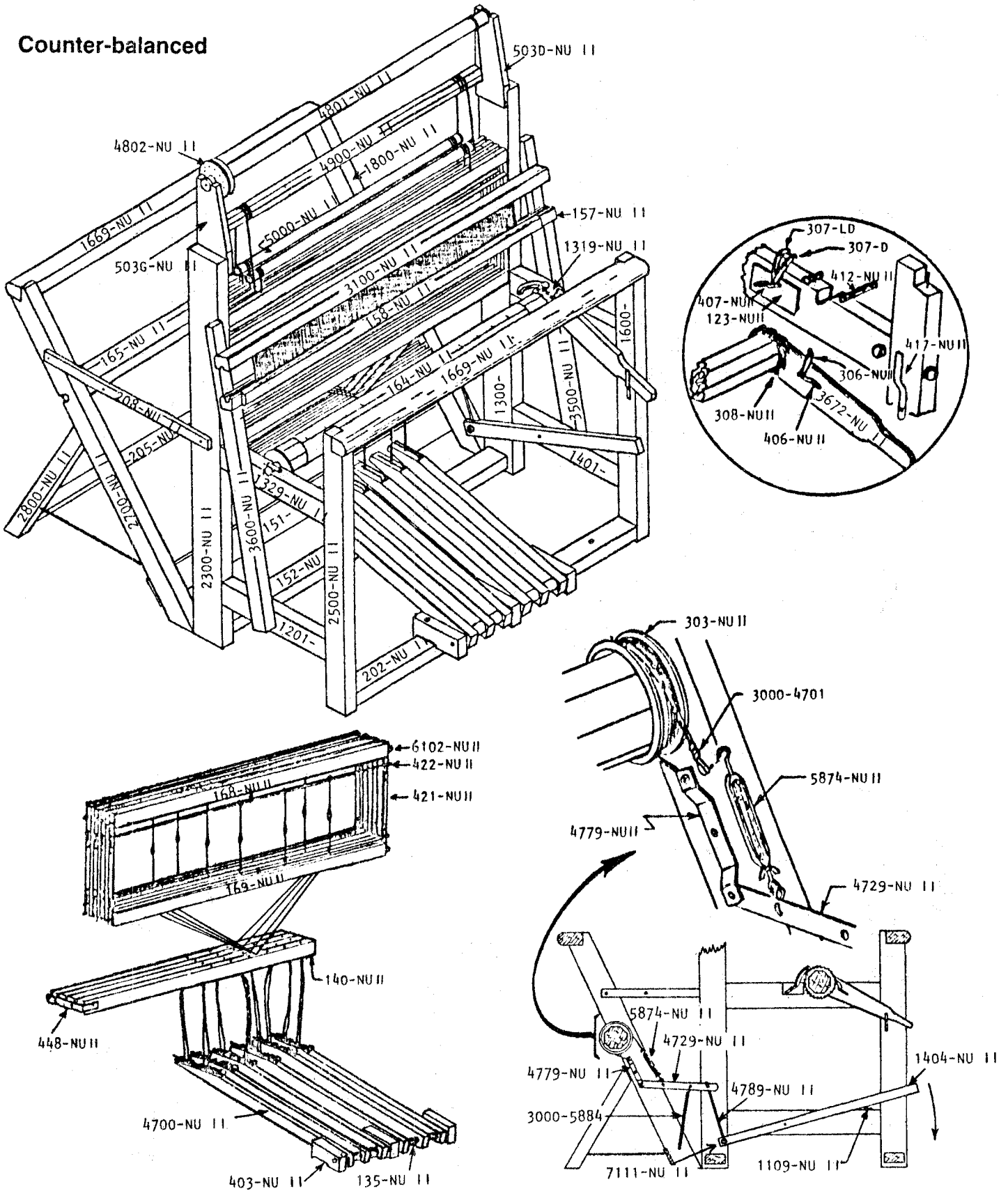
Jack-type



NILUS II

Contre-balancé

Counter-balanced



NILUS II 36", 45" or 60"

1300-NU II	Right upright post
2300-NU II	Left upright post
502-NU II	Castle top Jack-type
1600-NU II	Right front post
2500-NU II	Left front post
1800-NU II	Right back post (w/o beam latch)
2700-NU II	Left back post (w/o beam latch)
1900-NU II	Right stabilizing post
2800-NU II	Left stabilizing post
1319-NU II	Right upper lateral cross-member (without latch);
1329-NU II	Left upper lateral cross-member (whithout latch)
1401-NU II	Right lower lateral cross-member
1201-NU II	Left lower lateral cross-member
202-NU II	Treadle set, cross-member
152-NU II	Middle lower cross-member
151-NU II	Lower cross-member connecting back posts
205-NU II	Cross-member connecting stabilizing posts
1669-NU II	Breast or thread beam
164-NU II	Cloth beam w/ wheels & canvas apron
165-NU II	Warp beam with wheels
3500-NU II	Right batten sword (with metal peg)
3600-NU II	Left batten sword (with metal peg)
3100-NU II	Batten handtree
157-NU II	Batten sley
158-NU II	Shuttle race
503U-NU II	Right roller support
5036-NU II	Left roller support C.B.
4801-NU II	Shed regulator roller (w/ pulley) C.-B.
4802-NU II	Shed regulator pulley C.- B.
4900-NU II	Octogonal upper roller (+ plastic pulleys) C.-B.
5000--NU II	Lower roller (+ plastic pulleys) C.-B.
168-NU II	Harness upper part
169--NU II	Harness lower part
1101-NU II	Jack box board (front and back)
1102-NU II	Jack box end (right or left)
1030-NU II	Jacks (pair, assembled)
3300-NU II	Lam
403-NU II	Treadle set support,
4700-NU II	Treadle
135-NU II	Treadle spacer
123-NU II	Board, to center ratchet pawls
3672-NU II	Take-up motion handle with ratchet pawl
1404-NU II	Brake treadle

NILUS II 36", 45" or 60" (cont.)

METAL

208-NU II	Hook to fold back of the loom
421-NU II	Harness frame ends (pair)
4249-NU II	Spring clip for harness frame end
422-NU II	Heddle support,
55-NU II	Spring hook for heddle support,
423-NU II	Hook for heddle support
427-NU II	Hook for harness frame
7106-NU II	Spring for shed regulator
449-NU II	Jack iron-fitting
451-NU TI	Jack axle rod
446-NU II	Lam Support
482-4-NU II	Treadle set axle rod
406-NU II	Strengthening piece for take-up motion handle
407-NU II	Strengthening piece for ratchet pawls
417-NU II	Take-up motion handle support
412-NU II	Beam latch
3000-4701	Flat steel brake circle
403-NU II	Steel brake wire
47797NU II	Strengthening piece for brake
4729-NU II	Brake lever
56747NU II	Brake turnbuckle
3000-5884	Brake spring
4789-NU II	Rod connecting brake treadle to brake lever
3502-NU II	Peg for batten sword lower part
6839-NU IT	Pin for shed regulator pulley
3000-4521	Treadle hooks (set of 6)

CAST-IRON

302-NU II	Plain wheel
303-NU II	Brake drum
308-NU II	Ratchet wheel
3000-5862	Crank
306-NU II	Ratchet pawl for take-up motion, handle
307D-NU II	Ratchet pawl for cloth beam (short)
307 LD-NU II	Ratchet pawl for cloth beam (long)

PLASTIC

6101-NU II	Jack glide (harness guide)
6102-NU II	Nylon for harness frame end
1109-NU II	Stopper for brake treadle
3000-9229	Beater bumper (upright post)
3000-9219	Sub-harness bumper
7111-NU II	Black rubber ring for rod connecting brake treadle to lever

NILUS II 36", 45" or 60" (cont.)

CORDS

5102-NU II	Loop cords for shed regulator roller (set of 2)
5107--NU II	Loop cords for shed regulator pulley
1035-0000	Loop cords for rollers (set of 6)
5111-NU II	Loop cords connecting harnesses to lams (set/4)
3718-NU II	Loop cords for stabilizing posts (set of 2)
3400-7011	Treadle cords (set of 12)

NILUS II 8S

WOOD

1100-NU II	Upright post (right or left).
3-NU II	Lam
1400-NU II	Lam divider
1399-NU II	Jack spacer
2300-NU II	Treadle with extension
2000-NU II	Treadle extension
1604-NU II	Brake treadle

Metal

1639-NU II	Jack axle rod
1709-NU II	Eyelet bolt with nut for ,lack iron--fitting
4519-NU II	Treadle set axle rod
3501-4521	Ttreadle hooks 9" (23cm) (set of 10)