

# FANNY II

36"	1024-0136
45"	1024-0145
60"	1024-0160



On receiving the loom, unpack and lay out the loom components. Do NOT discard any packing material until all parts are inventoried.

Check the parts received against the parts list on pages #2 to #7 of the assembly instructions. Report any discrepancies to Leclerc immediately.

To assemble this loom, a minimum of 2 people are needed but it is recommended you use 3.

## Leclerc Looms

Since 1876



1573 Savoie  
C. P. 4  
Plessisville, Qc.  
G6L 2Y6

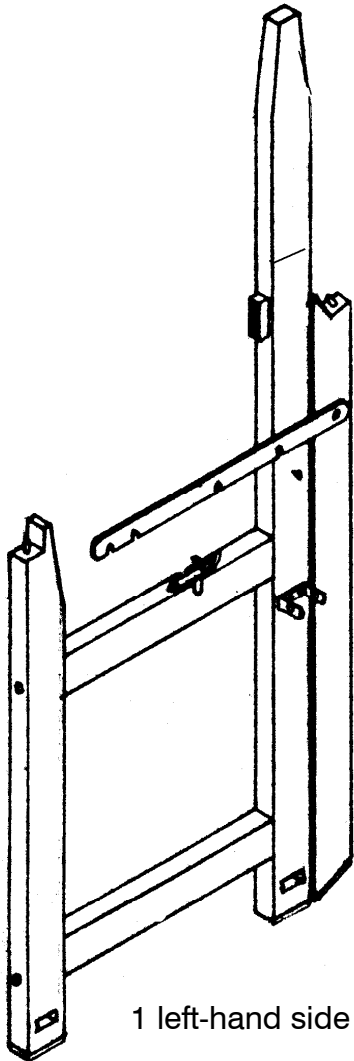
Loom Prepared by: \_\_\_\_\_

Inspected by: \_\_\_\_\_

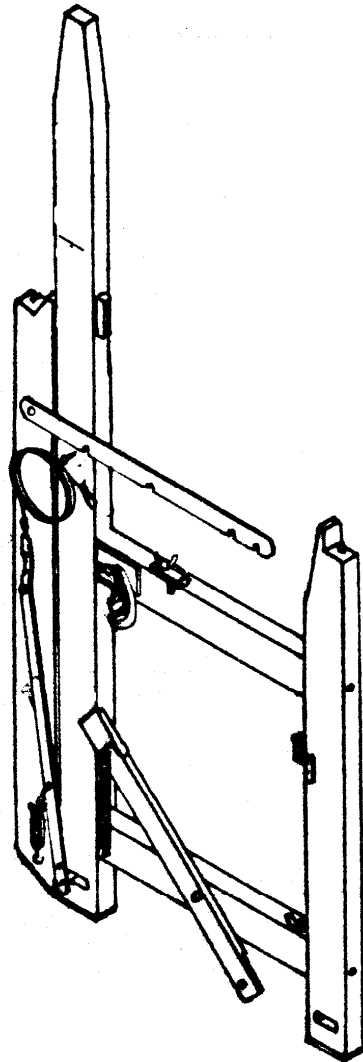
Date: \_\_\_\_\_

TEL: 819-362-7207  
FAX: 819-362-2045  
[www.leclerclooms.com](http://www.leclerclooms.com)  
[info@leclerclooms.com](mailto:info@leclerclooms.com)

LECLERC NOTE IN FRENCH:  
 Faire le trou dur le montant centre pour le  
 l'attache du ressort de régulateur.  
 1" plus haut que le crochet arrière.

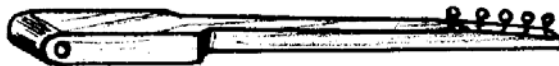


1 left-hand side of loom

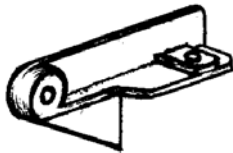


right-hand side of loom

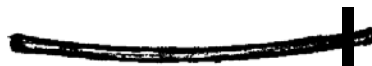
6 treadles



2 metal treadle supports



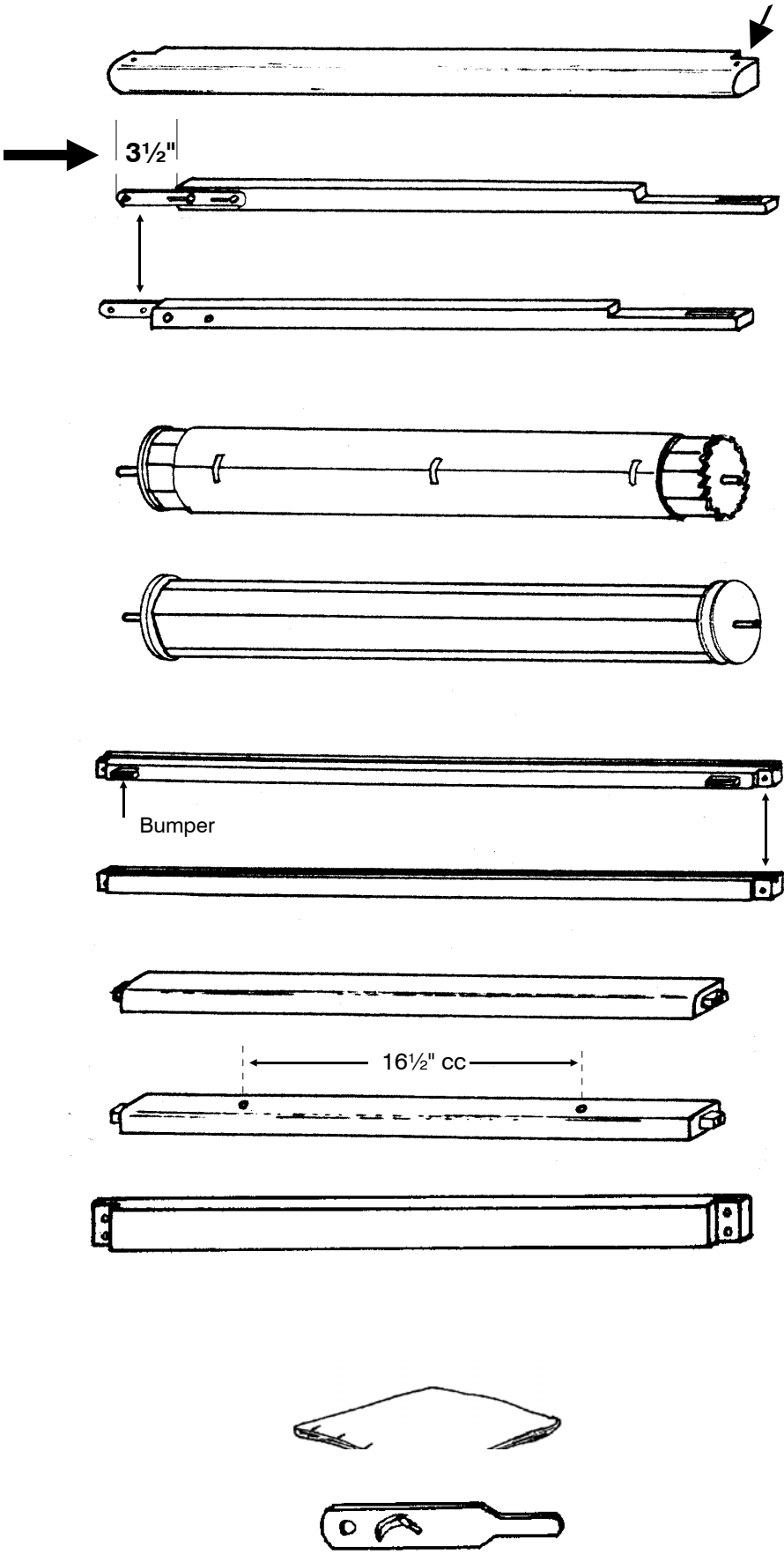
1 treadle set rod with  
 1 Push nut 7/16"



1 more treadle set  
 push nut 7/16"



# PARTS LIST



2 breast beams  
(43 1/2", 52 5/8")

1 left sword (32 1/2")

1 right sword (32 1/2")

1 cloth (front) beam  
(38 1/2", 47 5/8")

1 warp (back) beam  
(38 1/2", 47 5/8")

1 batten handtree  
(46 3/4", 55 3/4")

1 batten sley with shuttle  
race (46 3/4", 55 3/4")

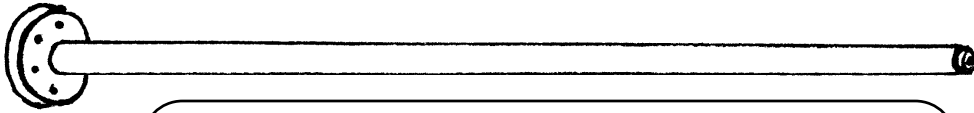
1 lower-middle  
cross-member (40 1/8", 49")

1 treadle set cross-member  
(40 1/8", 49")

1 lower cross-member  
connecting back posts  
(34 1/2", 52 5/8")

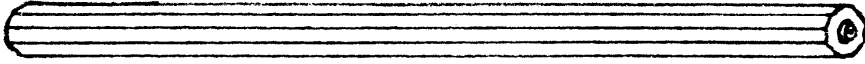
1 apron

1 cloth take-up motion  
handle

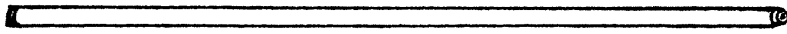


1 shed regulator roller

*Note for Leclerc in French: Ne pas oublier les petits trous sur la poulie , sur les rouleaux de tête et octogonale.*



1 octagonal roller with white pulleys



2 small rollers with white pulleys

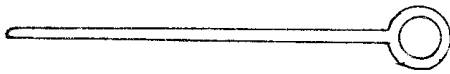
*Note for Leclerc in French: Utiliser des vis avec épaulement pour les poulies des petits rouleaux.*



1 left roller support



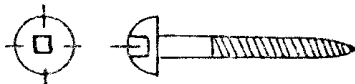
1 right roller support



1 metal pin to lock shed reg. roller



1 open eyehook



6 round-headed screws No 12, 1½"



9 round-headed screws No 6, ½"

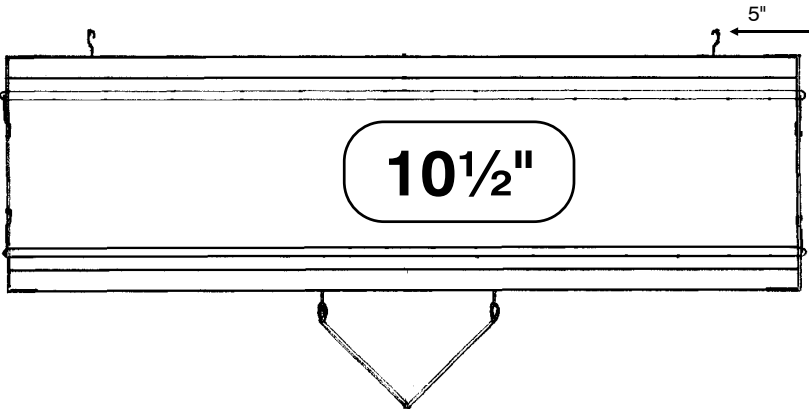


9 steel washers 3/16"

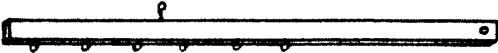


1 shed regulator spring

# PARTS LIST

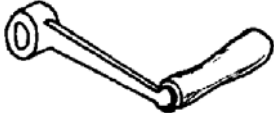


4 shaft frames

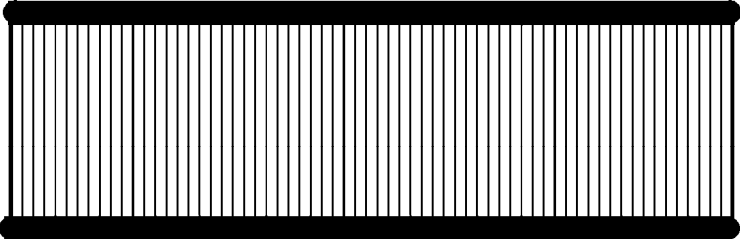


4 lams

36" = 26 1/4"  
45" = 30 3/4"  
60" = 38 1/4"



1 crank



1 reed



2 lease sticks



4 warp rods

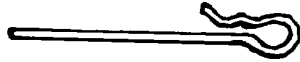
# PARTS LIST



3 screwdriver (black, red and green)



1 adjustable wrench



1 set of 6 treadle hooks 7" # 3500-4521



1 set of 12 treadle cords 7" #3000-7011



1 boat shuttle regular size



12 plastic bobbins 4"



1 threading hook with plastic handle



2 pk cord - 5 yd each

**10<sup>1</sup>/<sub>2</sub>**



000 heddles (36" loom)

200 heddles (45" loom)

500 heddles (60" loom)

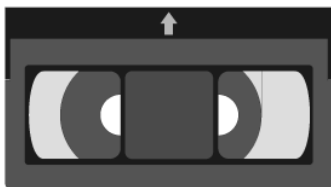


2 loop cords 17" (Shed Regulator roller p.14)

2 loop cords 30" (Middle roller p.15)

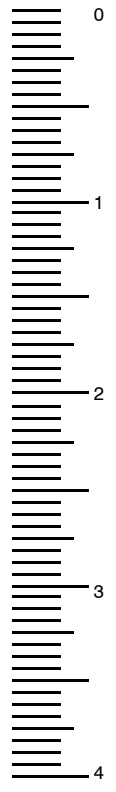
4 loop cords 20" (Shaft frame p.16)

1 loop cord 40" (Shed regulator p.17)



1 VHS instruction Video showing all stages of the installation.

# PARTS LIST FANNY



**Machine bolts**

4X - 3/8" x 5"  
1X - 1/4" x 3"

**Carriage Bolts**

6X - 5/16 x 2 1/2" (8 mm x 65 mm)  
2X - 5/16" x 2 1/4"

**HEXAGON NUTS**

2X- Nylon auto lock 5/16"

**Washers**

1X - 1/4"  
10X - 5/16"  
4X - 9/16"  
4X - 3/8"

**Square nuts**

4X - 3/8"  
4X - 5/16"  
1X - 1/4"

**Wooden spacer**

1" X

**Wing nuts**

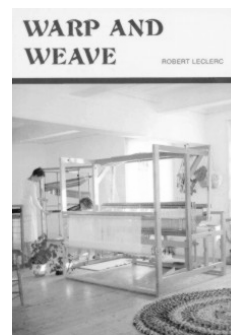
4X - 5/16" (8 mm)

2X eye screws

Tacks for canvas

**Round head screw**

4X - #12 x 1 1/2"



1 book Warp&Weave

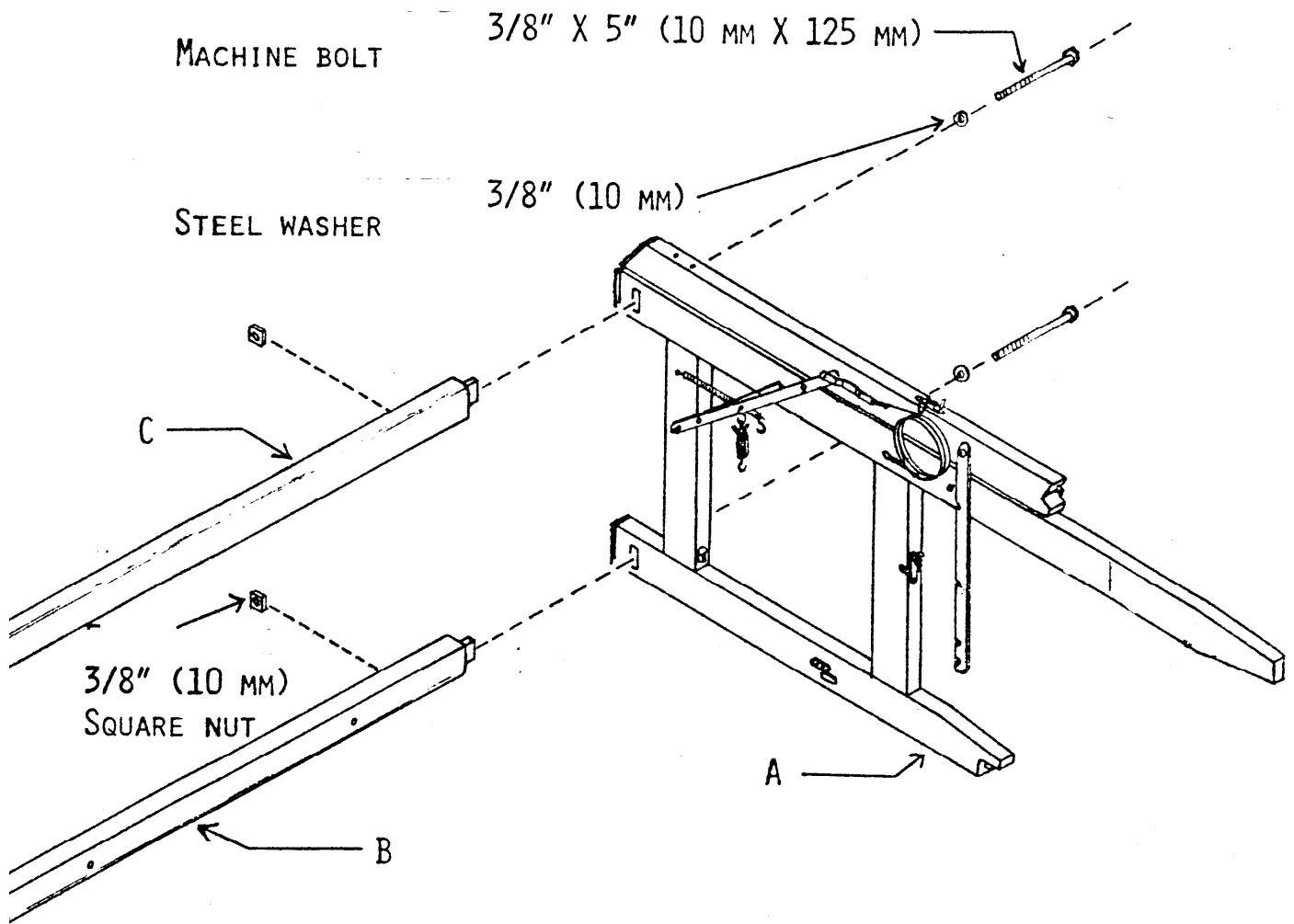


Fig. 1

Place right-hand side A of the loom on its front.

Insert the tenon of lower cross-member B into the lower front mortise of right-hand side A.

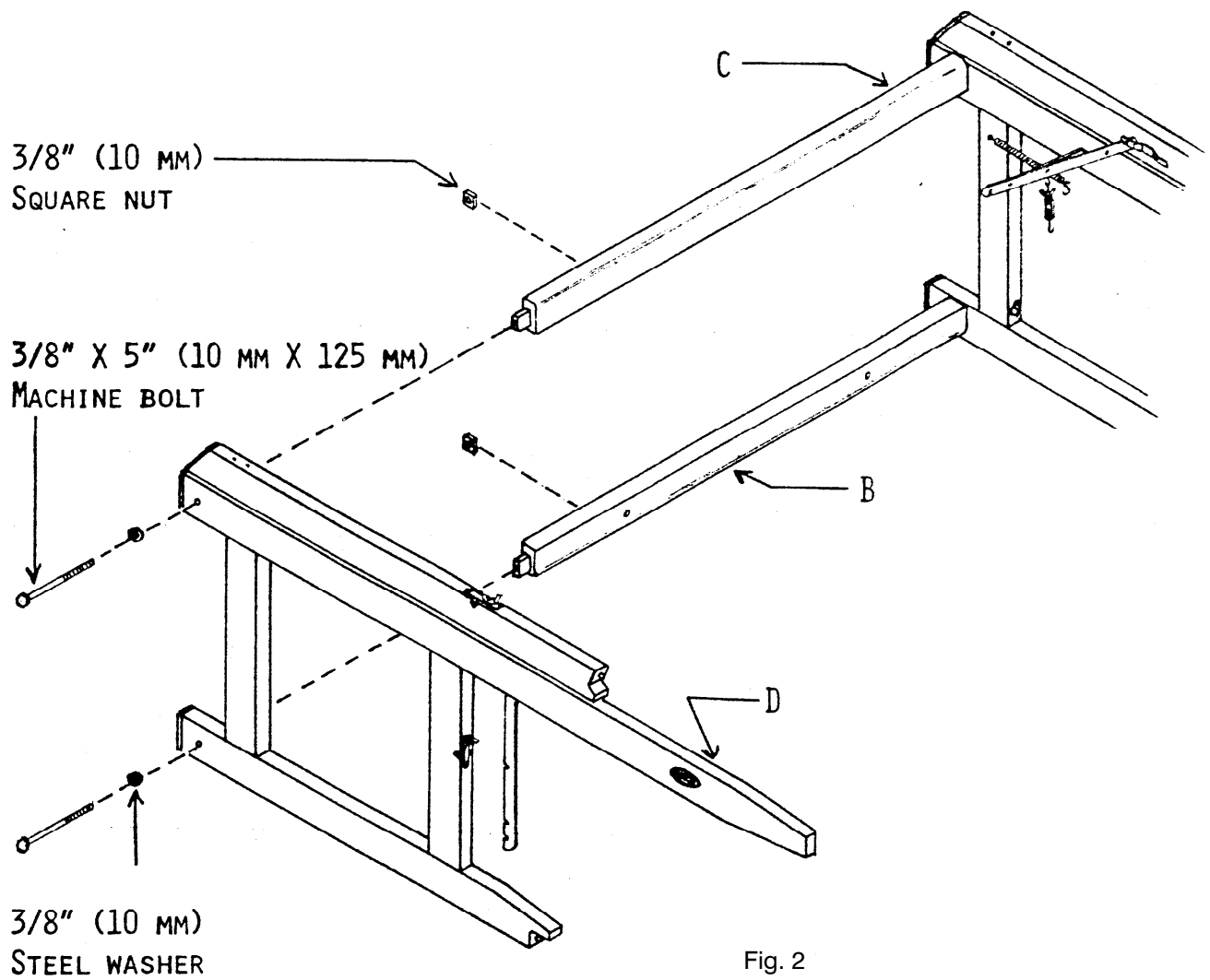
**NOTE:**

*The lower front cross-member has two holes drilled through it which are used to affix the treadle set.*

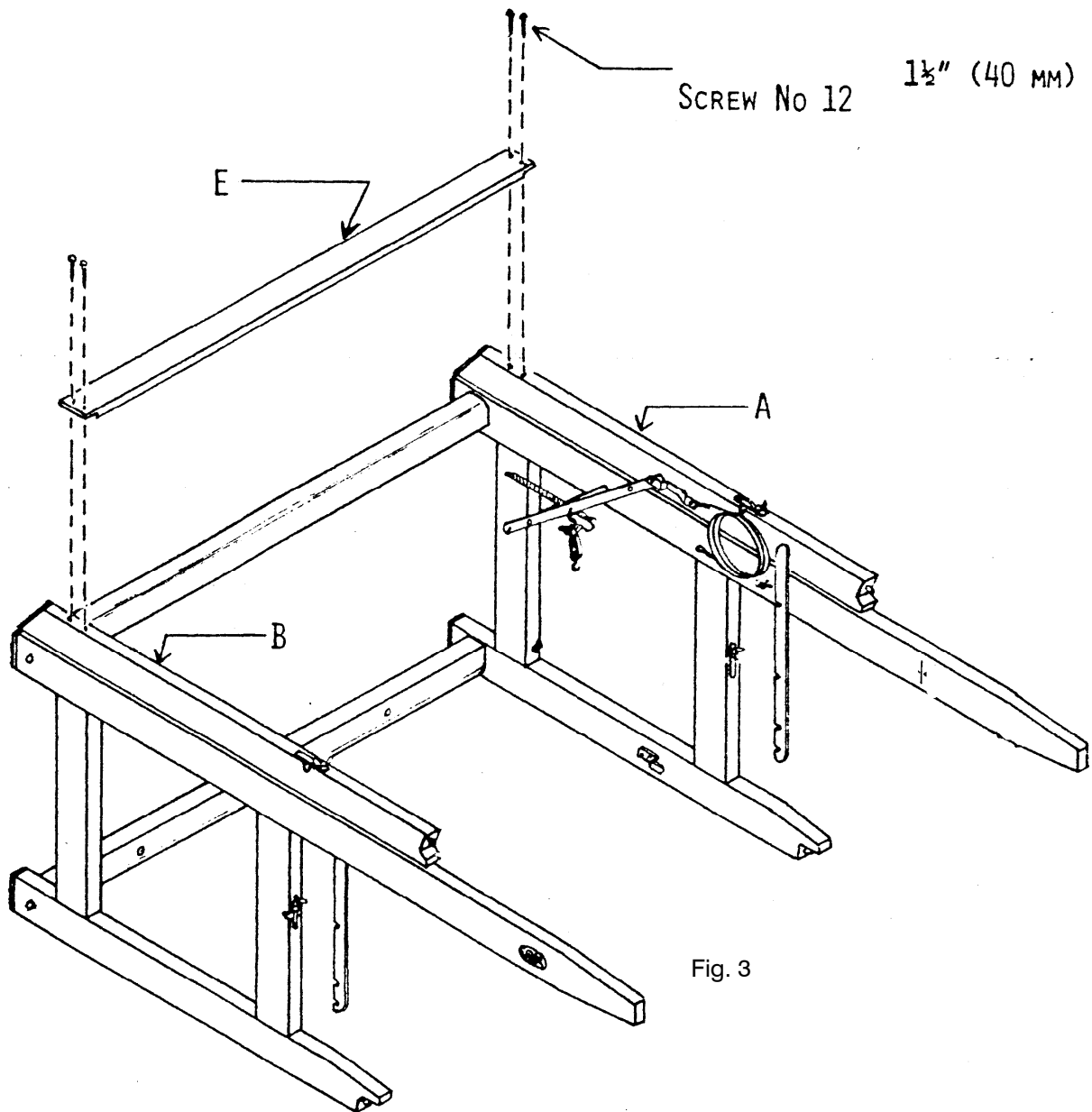
*Using the wrench supplied with the loom, affix cross-member B with a 3/8" x 5" machine bolt, a 3/8" steel washer and a square nut.*

*Repeat the sequence with cross-member C (no holes).*





After having placed the left-hand side D of the loom on its front, repeat the previous procedure again using the same tools, same bolts, same washers and nuts.

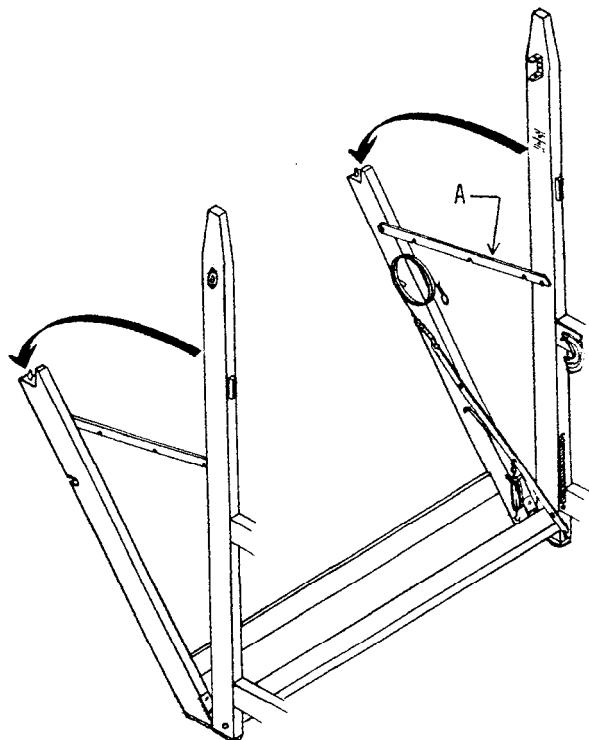


Using four 1 1/2" round-headed screws no. 12, affix back cross-member board E to back posts A and B.

**NOTE:**

*If cross-member board E does not fit between posts A and B, insert it higher between the posts, then slide it down.*

*Application of soap to the screws will make their insertion easier.*



Unfold the back section of the loom (back posts) and lock it in place with metal hooks A.

Fig. 4

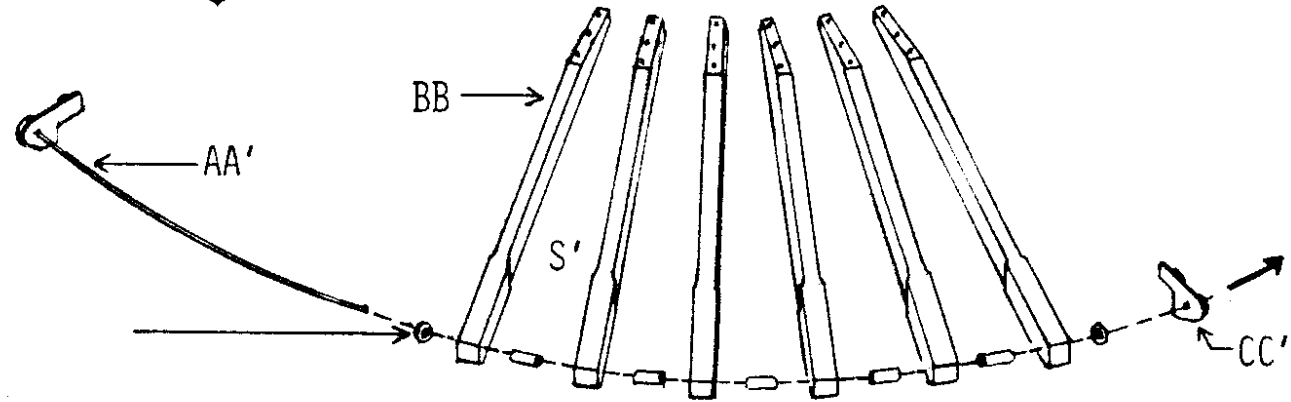


Fig. 5

Washer 7/16"

- Assemble the treadle set as illustrated using:
- 6 treadles
- 5 wooden spacers 1"
- Treadle rod pre-assembled
- Steel Washers 7/16":

**Install the second side push nut only after the set is affixed to the loom.**

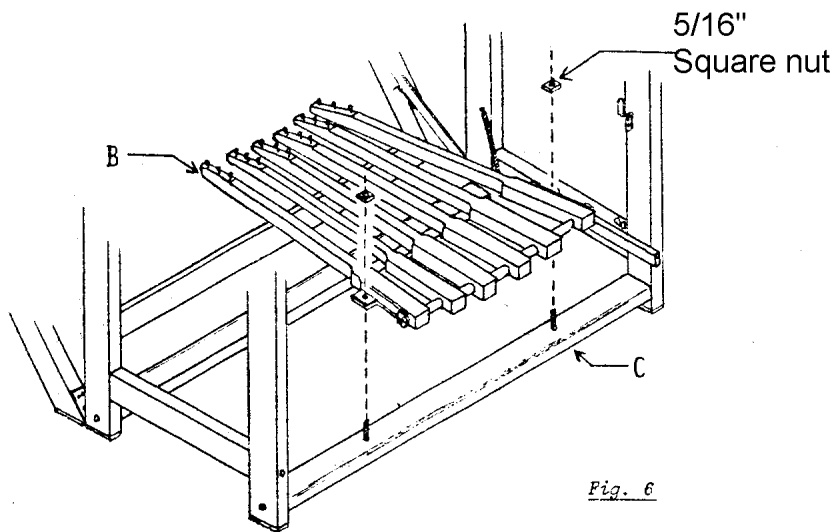


Fig. 6

Affix treadle set B to lower front cross-member C.  
 Insert the 5/16" x 2 1/2" bolts from under the cross-member.  
 Secure them with the square nuts in the top of the metal treadle support.

**Install the second side push nut.**

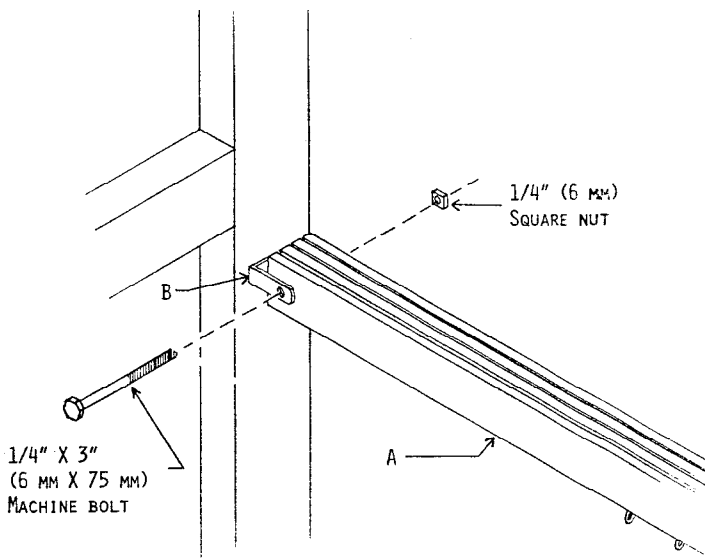
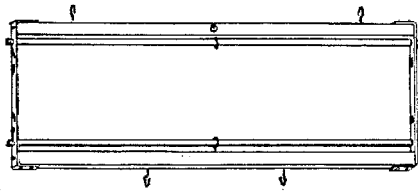


Fig. 7

Using a 1/4" x 3" machine bolt and a 1/4" square nut, affix the four lams A to lam support B of the left-hand side main post.

*NOTE: The upper side of the lams has a single eye screw.*



Install the heddles in the shaft frames (see WARP & WEAVE).

The left hand side has a hole in the top.

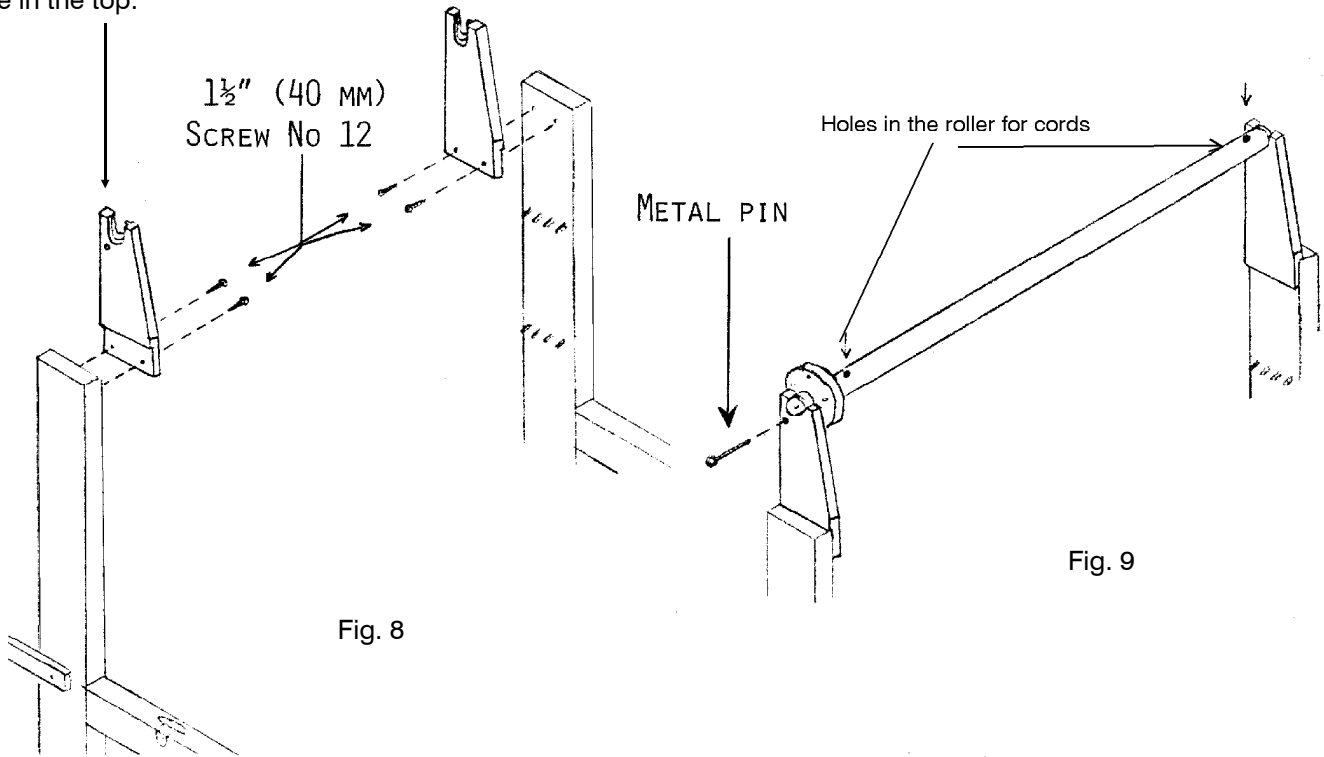


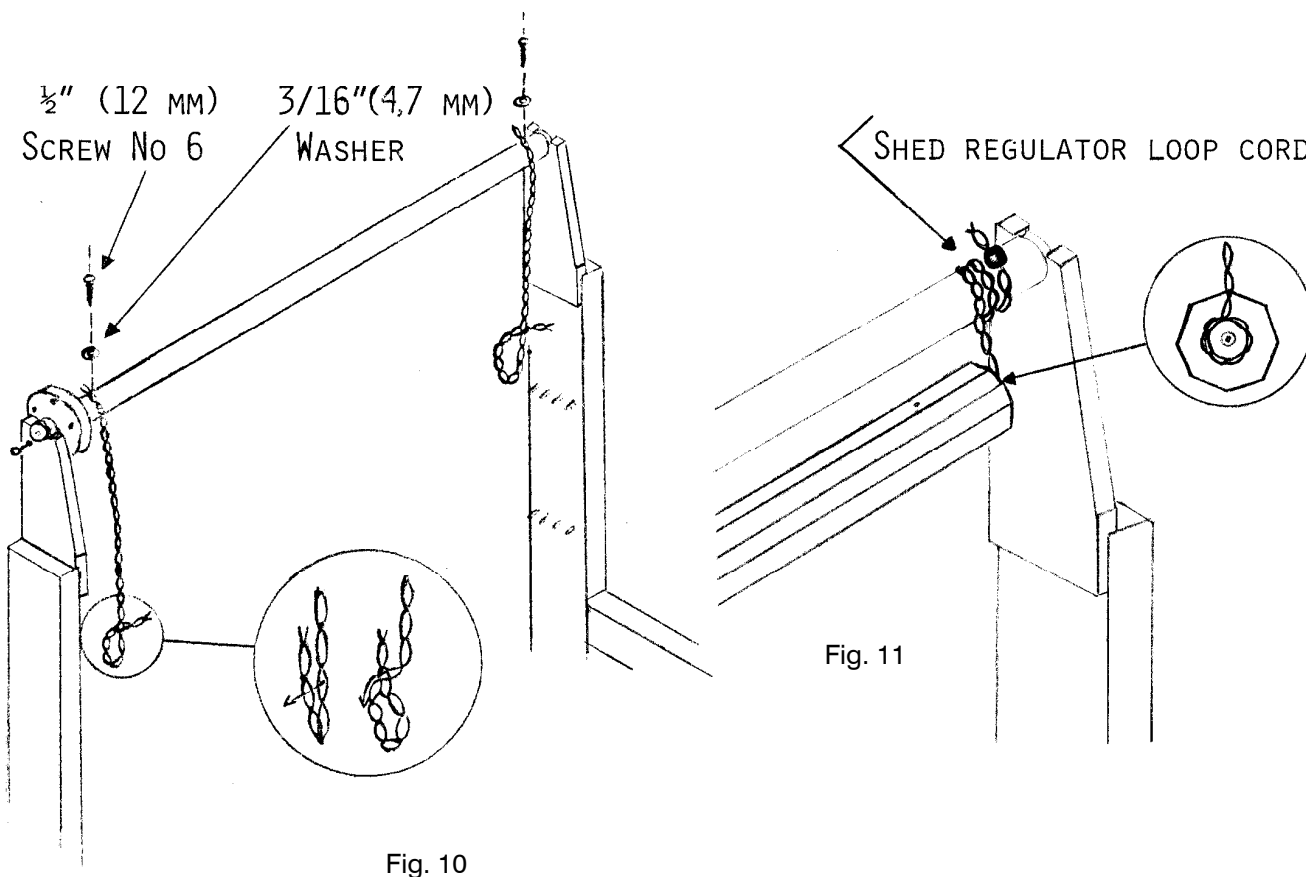
Fig. 8

Fig. 9

Using 1 1/2" round-headed screws No 12, fasten the two roller supports to the center posts (Fig. 8)

Place the shed regulator roller on the supports. The pulley should be on the left hand side of the loom. Fig.9

Insert the 3" metal pin through the support and one of the holes of the pulley to lock while the holes in the roller for the cords face upwards. Fig. 9



Using a  $\frac{1}{2}$ " round-headed screw No. 6 and a  $\frac{3}{16}$ " flat washer, fasten one end of each of the two 17" loop cords onto the holes on the top of the shed regulator roller. Fig. 10

Make a large loop in the other end of one cord by folding it 3" from the end and drawing the cord through the second last loop. Fig. 10

Commencing with a downward motion from the front to the back, pass the cord around the shed regulator roller twice. Slip the loop around the pulley on the end of the large octagonal roller. Repeat this process for the other side. Fig. 11

Make sure that the distance between the rollers is the same at each end. If not, adjust the loop.

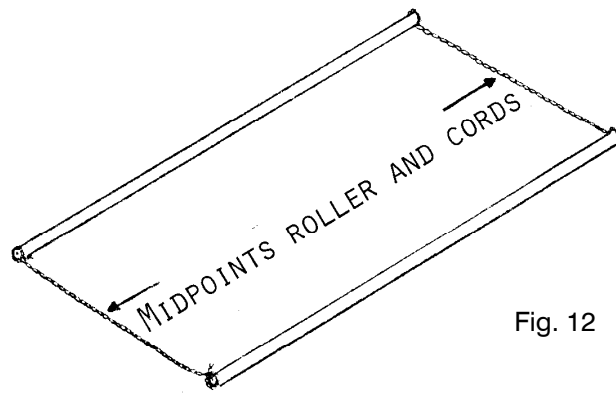


Fig. 12

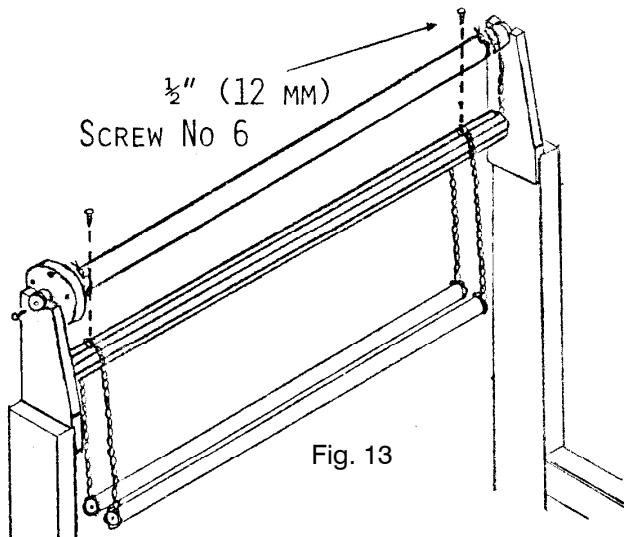


Fig. 13

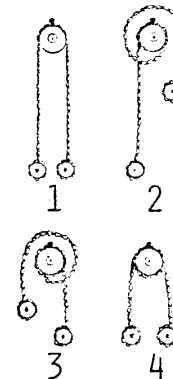


Fig. 14

Fasten the two 30" loop cords to the pulleys of the two small rollers (Fig. 12) by forming a loop at each end of the loop cords as previously described (figure 10)

Make sure that the distance between the rollers is the same at each end.

Fasten two 1/2" round-headed screws No. 6 into the holes on the upper side of the large octagonal roller. Do not fully tighten the screw but leave a gap of 3/32" to allow for the cord. (Fig. 13)

Locate the loop closest to the midpoint (Fig. 6) on the cords connecting the small rollers and place under the head of the screws in the large octagonal roller (as illustrated in figure 13)

Pass the cords (connecting small rollers) once around the large octagonal roller (as illustrated in figure 14)

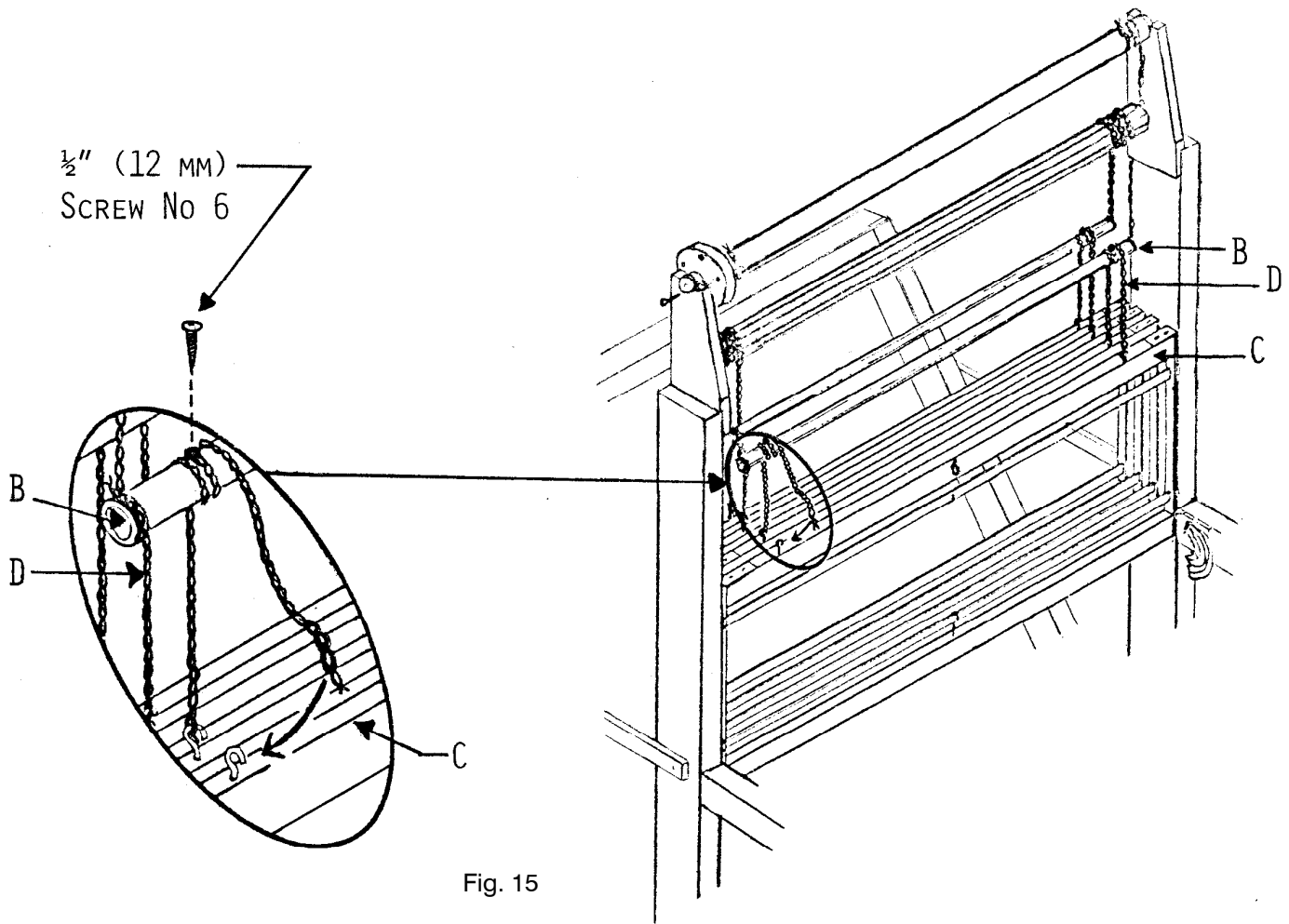


Fig. 15

Fasten four No 6 ,  $\frac{1}{2}$ " round-headed screws into the holes on the top of the small rollers. Do not fully tighten. (Fig. 15)

Locate the loop nearest the midpoint on each of the four 20" loop cords and place under the head of the screws in the small rollers. (Fig. 15)

Cords D must be passed around the small rollers B once (as illustrated in figure 14). Select the second to last loop at each end of these cords and slip onto the hooks of the harness frames. (Fig. 15)



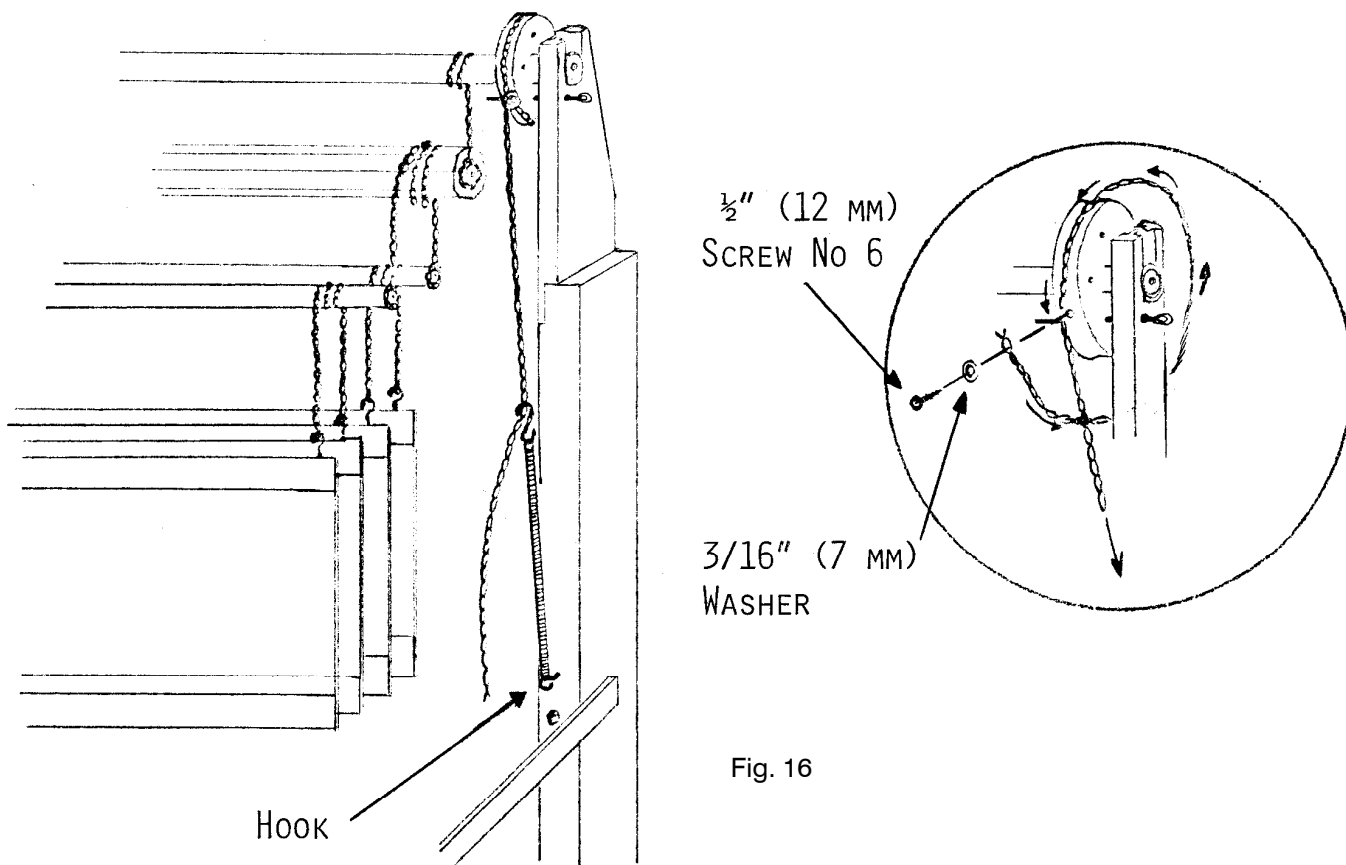


Fig. 16

Stand behind the loom, facing the shed regulator.

Using one 1/2" round-headed screw No 6 and one 3/16" flat washer, attach one end of the 40" loop cord to the pulley of the shed regulator. Pass the cord once around the pulley in a counter-clockwise direction. (Fig. 16)

Slip an "S" hook onto one end of the spring.

Affix a hook into the hole located at the back of the left central post and attach the other end of the spring to it. (Fig. 16)

Attach the "S" hook on the upper end of the spring to the loop cord of the shed regulator, adjusting the height of the harness frames such that the heddles are a little higher than the center of the reed (the loom has to be fully open).  
See WARP AND WEAVE.

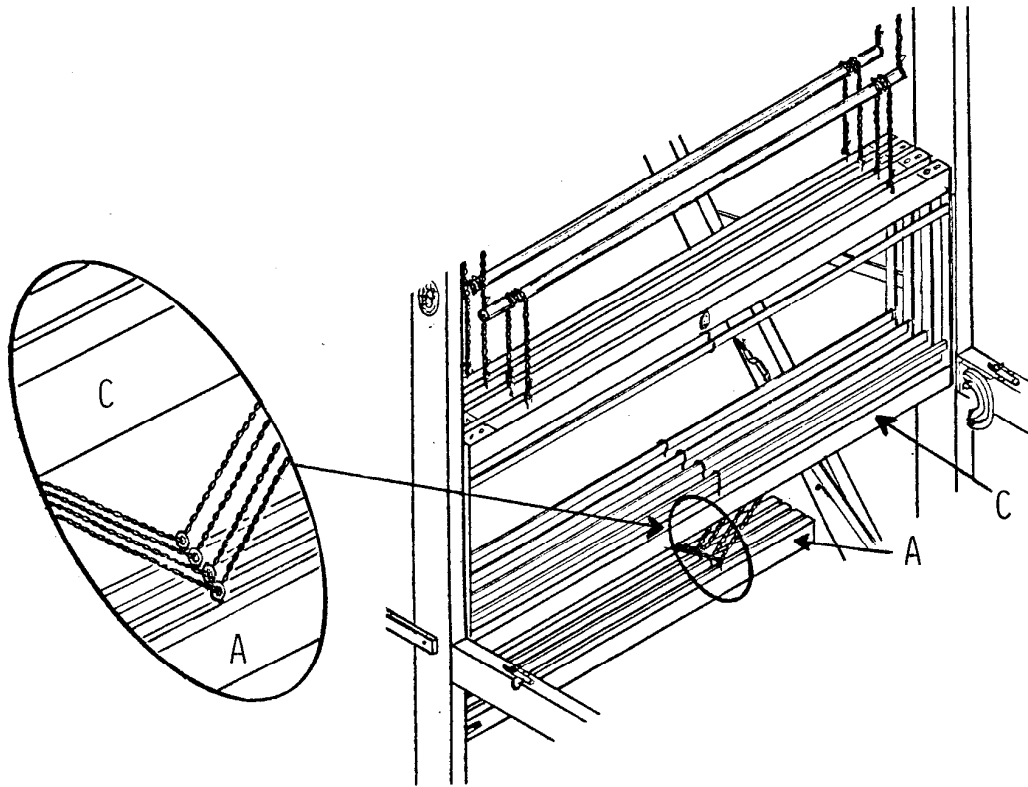


Fig. 17

NOTE: Don't forget to string the heddles prior to attaching the shaft frames to the lams.

Connect shaft frames C to lams A by fastening one end of the 18" loop cord into one of the two hooks under the shaft frame, then pass the cord through the eyelet of the corresponding lam and fasten the other end to the second hook on the same harness frame. (Fig. 17)

Proceed in the same way for the other three harness frames. Be sure that the distance between all harness frames and lams is the same.

Your loom is now adjusted for a counter-balanced weave. If you wish to treadle one harness against three, you must engage the shed regulator by removing the metal pin from the pulley, and readjusting the tension of the spring (by inserting the "S" hook in another loop) to obtain the best shed.

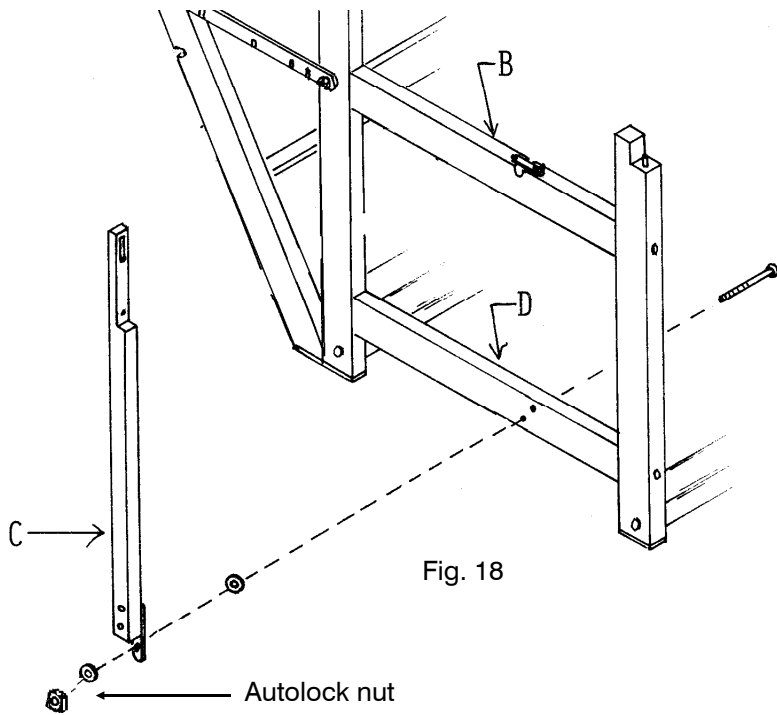


Fig. 18

Affix batten swords C to lower lateral cross-members D. Insert the two 5/16" x 2 1/4" carriage bolts to the **LOWER HOLE**. **Hammer those carriage bolts inside the hole so it will lock while you will screw the auto lock nuts.**

You also need four steel washers and two 5/16" Autolock nuts. Place a steel washer between the Autolock nut and the sword and another one between the sword and the cross-member.

Do not tighten the bolts too much as the batten must move easily.

Affix batten sley A (with shuttle race) to the bottom of the batten sword grooves C. Insert a 5/16" x 2 1/2" carriage bolt into both ends of batten sley A, then into the hole at the bottom of the sword groove C. (The groove of sley A must be on the upper side.) Complete with washers and square nuts.

Affix batten handtree B to the slots on top of the sword grooves C. Insert a 5/16" x 2 1/2" carriage bolt into both slots of the batten sword C, then to the batten handtree. (The groove of the handtree A must be on the underside.) Complete with washers and wings nuts.

To install or change the reed, slightly loosen the wing nuts and slide the batten handtree up and down.

If the batten does not touch the two bumpers equally, loosen the 4 nuts and exert pressure on the batten, centering it in its proper place. Tighten the nuts while holding the batten straight.

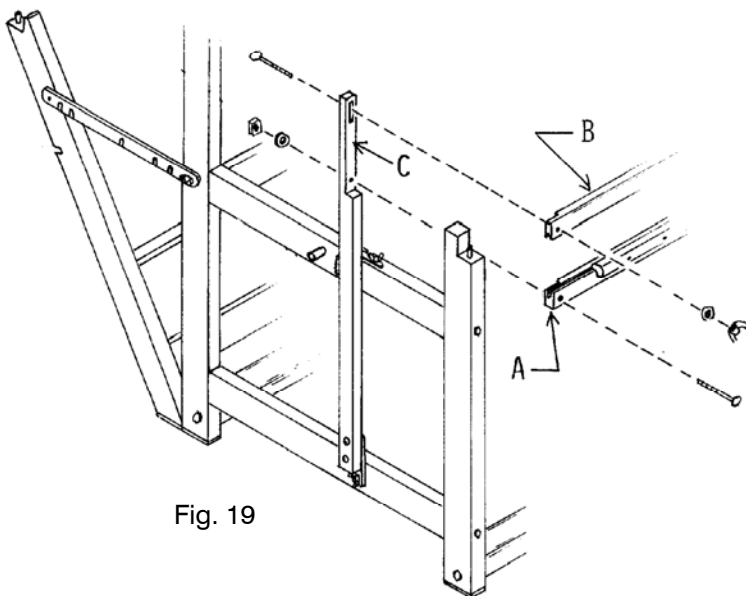


Fig. 19

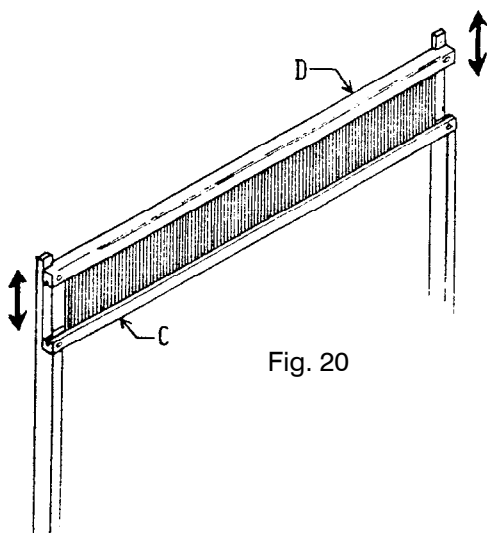


Fig. 20

If the loom is equipped with a sectional warp beam, the rake-like pieces must be affixed to the warp beam. If not, affix the apron to the warp beam with the tacks supplied with the loom.

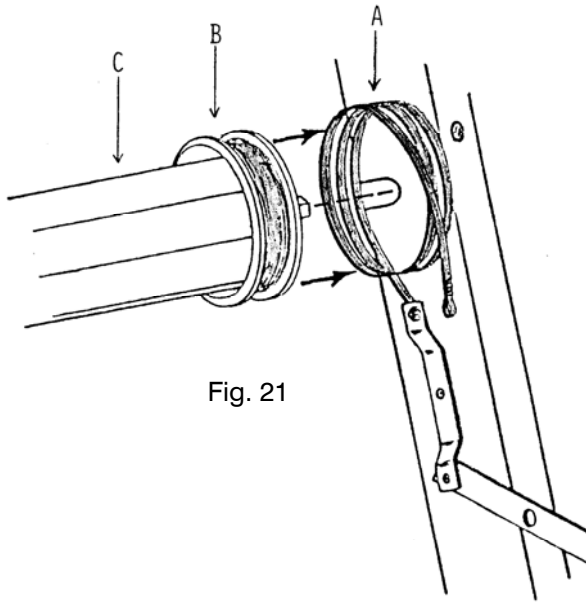


Fig. 21

### WARP BEAM INSTALLATION

Disconnect brake circle A from the turnbuckle.

Open both latches of the back posts. Hold the flat metal brake circle A slightly to the rear of the loom. DO NOT UNROLL IT.

Insert the brake drum B into the wire brake circle A.

Then, install the ends of the groove of the back post. Close and secure both latches.

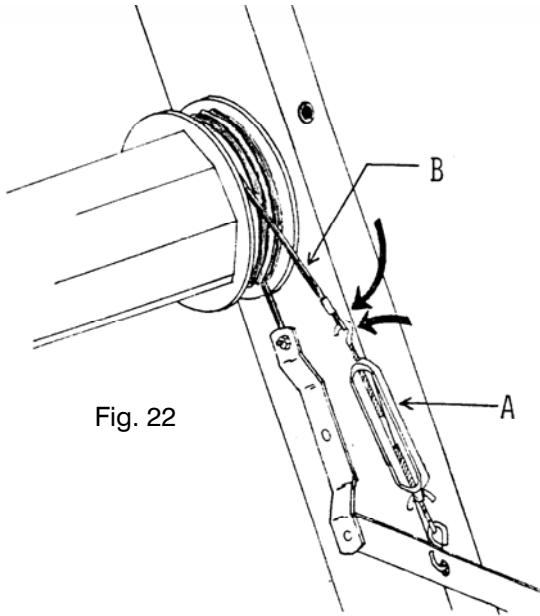


Fig. 22

Hook turnbuckle A to brake circle B.

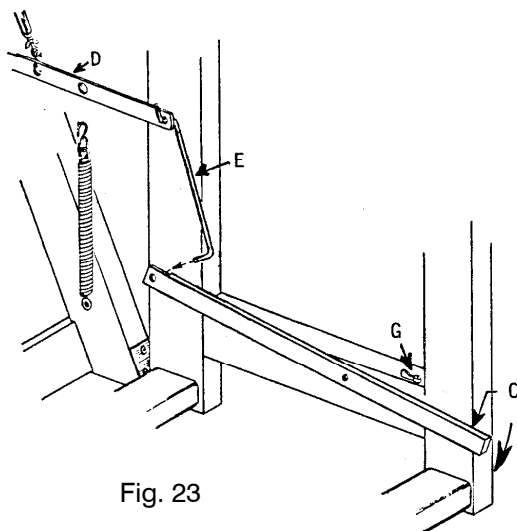


Fig. 23

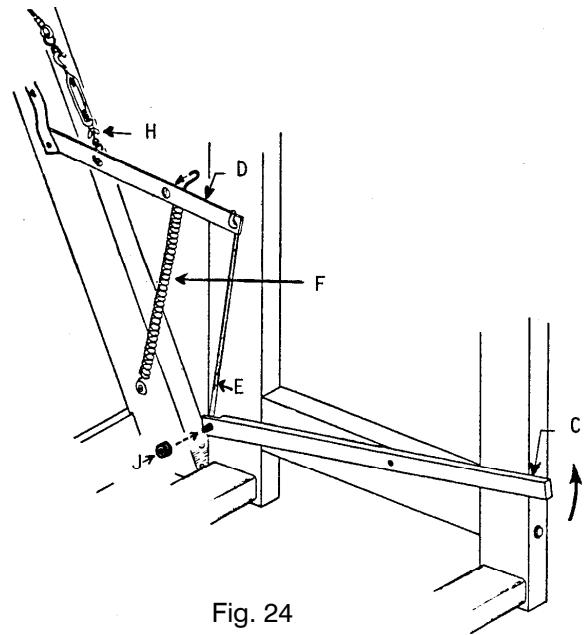


Fig. 24

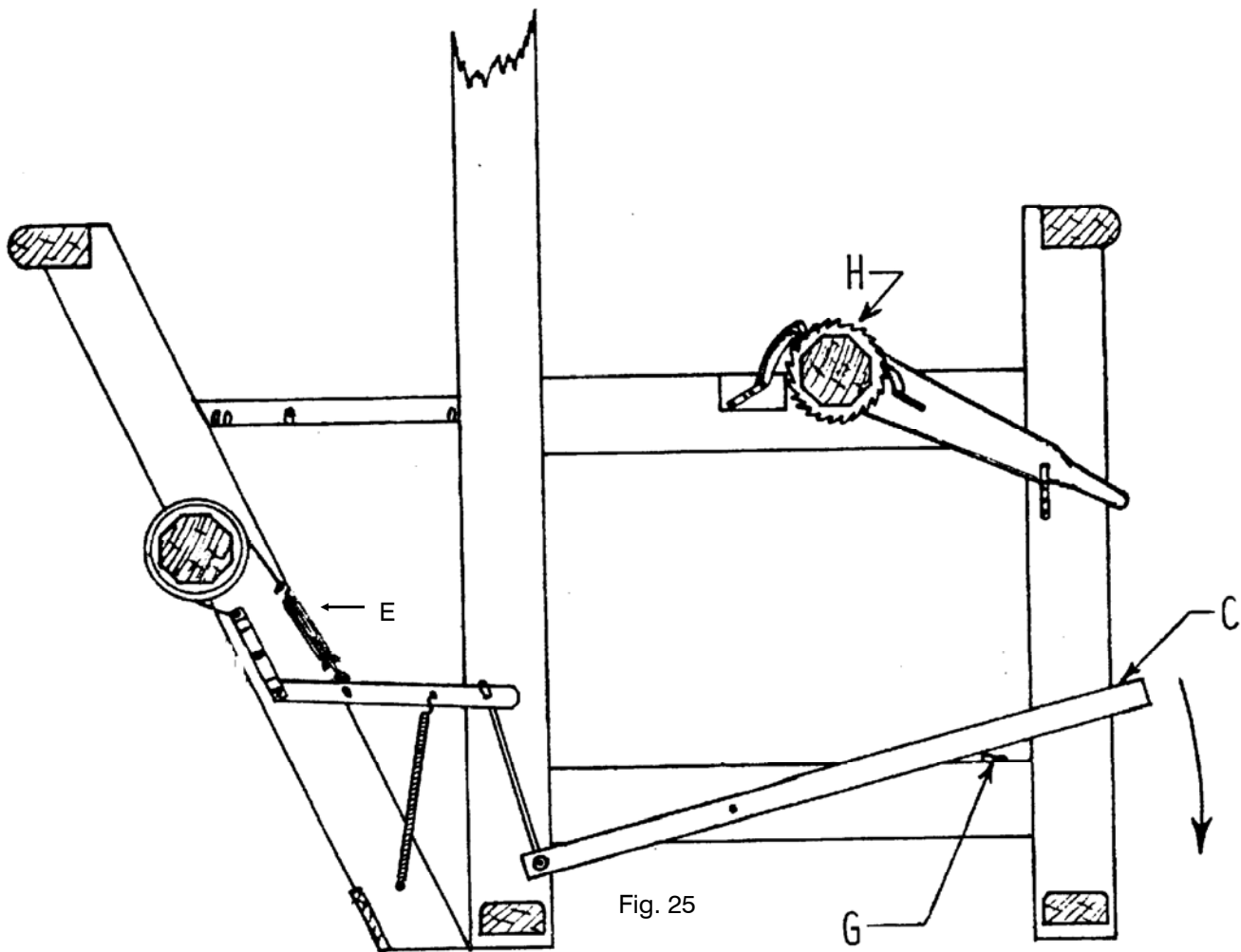


Fig. 25

#### BRAKE ADJUSTMENT

Release the brake by depressing treadle C and locking it down with catch G. The warp beam should turn freely but the brake circle should not be too slack. If the tension on the brake is too great, unscrew turnbuckle E. If the tension is too slack, tighten turnbuckle slightly and secure adjustment with the wing nut.

The warp beam should not unroll when the brake is on. If it does, the tension on the circle is too slack or the circle is not installed properly.

#### BEAMING

Release the brake by depressing the brake treadle C and locking it down with catch G.

#### WEAVING

To advance the warp, depress brake treadle C and turn cloth beam H at the same time. Then, release brake treadle C (engaging the brake) and advance the cloth beam until the desired tension is achieved.

#### Maintenance

See "Warp and Weave" book.

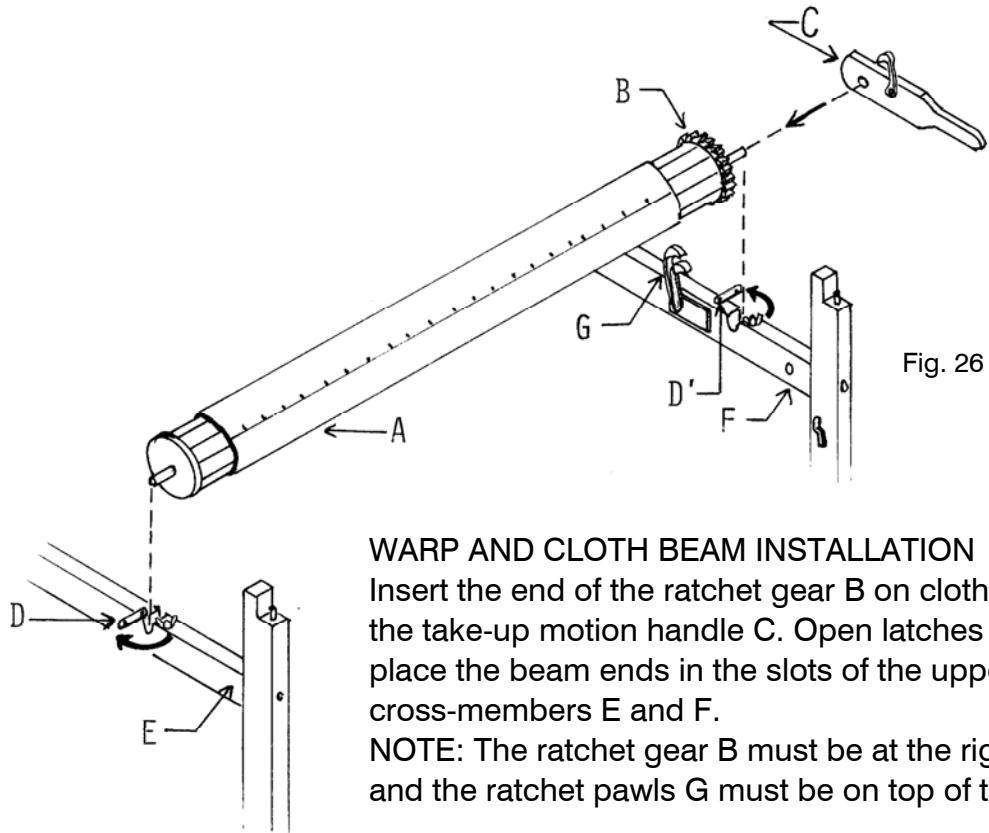


Fig. 26

**WARP AND CLOTH BEAM INSTALLATION**

Insert the end of the ratchet gear B on cloth beam A into the take-up motion handle C. Open latches D and D' and place the beam ends in the slots of the upper side cross-members E and F.  
 NOTE: The ratchet gear B must be at the right-hand side and the ratchet pawls G must be on top of the gear.

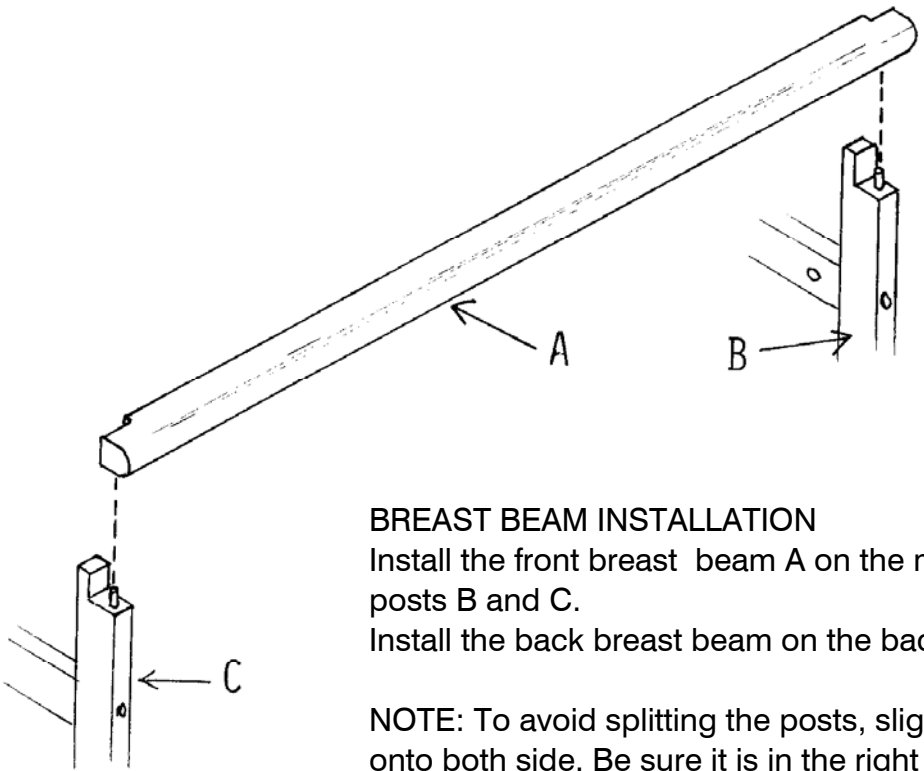


Fig. 27

**BREAST BEAM INSTALLATION**

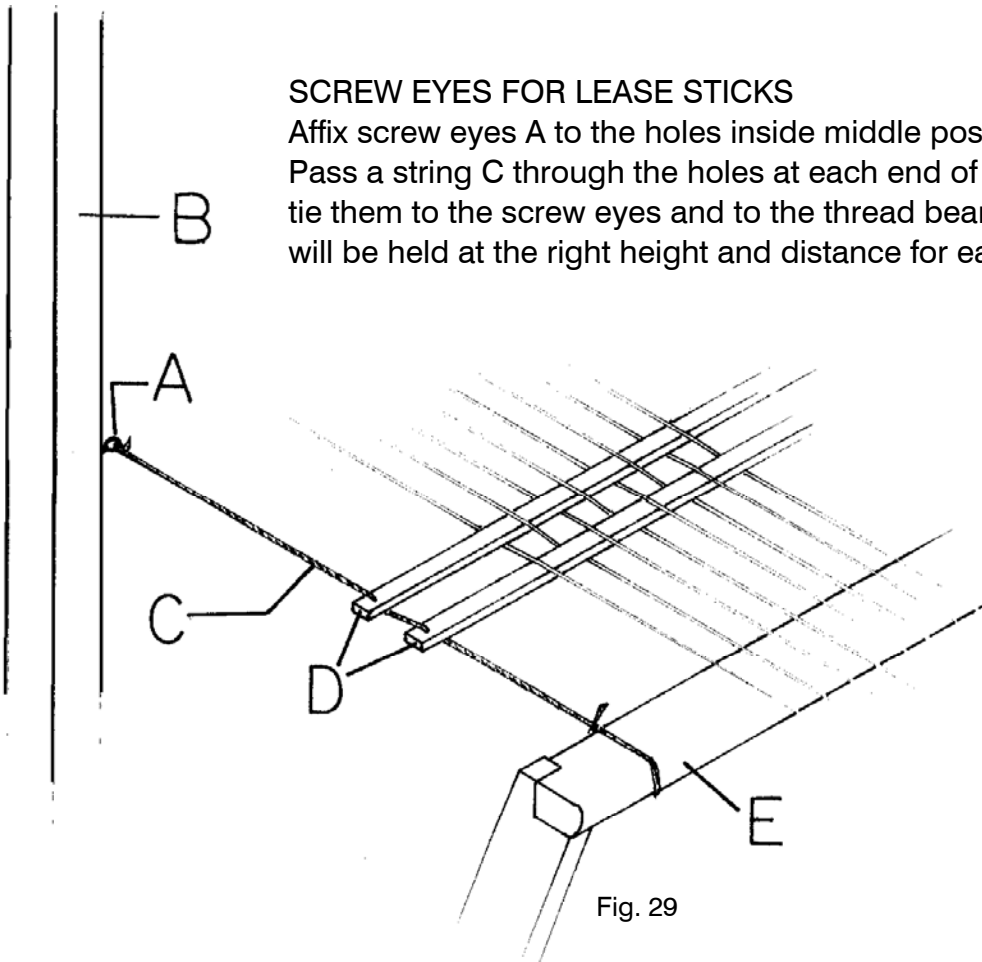
Install the front breast beam A on the metal studs of front posts B and C.  
 Install the back breast beam on the back posts.

NOTE: To avoid splitting the posts, slightly insert the beam onto both side. Be sure it is in the right position before inserting completely.

### FIRST TIE-UP

Refer to the book "Warp & Weave" supplied with the loom.

Fig. 28



### SCREW EYES FOR LEASE STICKS

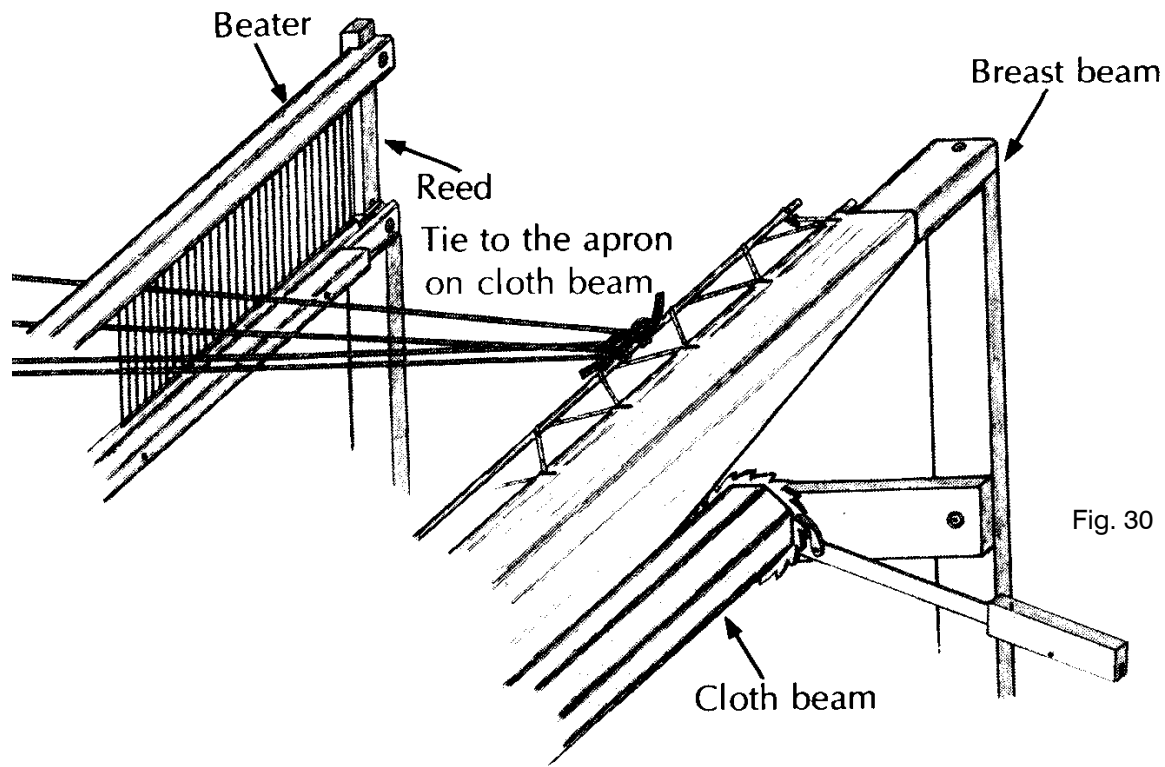
Affix screw eyes A to the holes inside middle posts B.

Pass a string C through the holes at each end of the lease sticks D and tie them to the screw eyes and to the thread beam E. The lease sticks will be held at the right height and distance for easy threading.

Fig. 29

If the loom is equipped with a sectional warp beam, affix the rake-like pieces (following the instructions supplied with the sectional warp beam) and do the following instructions on the cloth beam only.

If the loom is not equipped with a sectional warp beam, affix the apron to the warp beam with tacks and do the following procedures on the warp and cloth beams.



Insert a warp rod into the apron border.

For 27", 36" and 45" loom  
(70cm, 90cm and 115cm)

Cut the 5 yard (4.5m) cord in half.  
Use one half of the cord to lace the apron warp rod to a second warp rod. This second warp rod will be used to attach warp threads.

For 60" loom  
(150cm)

Use a 5 yard (4.5m) cord to lace the apron warp rod to a second warp rod. This second warp rod will be used to attach warp threads.

---

## WEAVING

***The height of the shaft frames and the beater have been pre-adjusted. Make sure the warp threads pass through the center (or close to the center) of the reed. For more information refer to the book "Warp & Weave" supplied with the loom.***

***We at Leclerc encourage Weaver feedback on this and all our products. Please send your comments to Leclerc Loom Co.***